

OCMER

OCMER
036
UNICA



OCMER OCM-036 UNICA: WET & DRY CONCRETE SPRAYING MACHINE

The new OCMER OCM-036 UNICA is a rotor machine able to process wet & dry concrete mixes with effective output range from 1 to 6 cubic metres/h. Its main destination is to execute restoration projects by applying sprayed concrete linings. It can be naturally also used to convey pea-gravel and humus soil besides refractory mixes.

It has been specifically developed to be employed even with stiff wet mixes having minimum slump up to 8-10 cm. The great machine's flexibility both in terms of workable mixes and outputs ranges, allows a very wide field of applications.

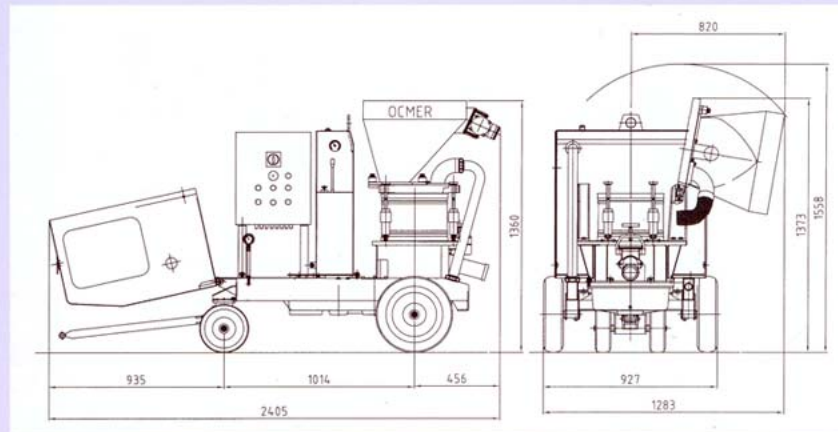
A new patented system will automatically prevent blockages along the delivery line, while the unique OCMER's four points hydraulic clamping system of the rotor between the lubricated gaskets will assure a perfect seal of the rotor in any working condition.

The machine can be finally supplied in its DOSA version with an integrated synchronized dosing unit for the liquid quick setting chemical admixtures. The digital visualizer on the electric control panel will indicate instantly the settled r.p.m. of the rotor and admixture output expressed in litres/h.



OCMER

OCM 036 UNICA



WEIGHT KG. 590-720

CAPACITY OF THE ROTOR IN LITRES	MAX. THEOR. (*) OUTPUT IN Mc/h	HOSE SIZE	GRAIN SIZE IN mm	DELIVERY DISTANCES		COMPRESSED AIR CONSUMPTION IN Mc/m AT 4-6 BARS
				DRY	WET	
				HOR./VERT.	HOR./VERT.	
4,5	3,8	40	13	500/100	////	4-8
		50	16	500/100	80/40	5-10
8	6,7	60	20	500/100	80/40	6-15

(*) Provided the chambers fill and empty completely

DRIVE:

ELECTRIC

Two speeds electric engine: HP = 6/4, 3 x 400 V, 50 Hz (other voltages upon request).

Moto-inverter: HP= 5,5, 3 x 400 V, 50 Hz (other voltages upon request).

Electric control panel: EEC norms (EN-60204-1; EN-60439-1; 73/23/EEC; 93/68/EEC).

Protection degree: IP55.

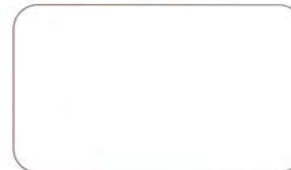
PNEUMATIC

Main Engine: HP = 9.

Hydraulic power pack engine: HP = 4.

Air consumption (engines): up to 10.000 litres/m at 6-7 bars.

Right to make amendments reserved.



OCMER CO. srl. • V.le 1° Maggio n° 33 - 20014 Nerviano (MI), Italy • Tel. +39 0331 415221 - Fax +39 0331 415266 • www.ocmer.it - info@ocmer.it

Surface INTERNATIONAL

46, Digvijay Nagar, Kheme kuan

Pal Road, JODHPUR - 342008 (Raj.) INDIA

Phone : 0291-2787749 Mobile : 9313329743

Fax : 0291-2787753 Email : surface,int@hotmail.com