

OCMER

OCM
015
SIMPLEX



- OCMER OCM-015 SIMPLEX.
MACHINE FOR THE DRY SPRAYING OF GUNITE,
CONCRETE AND REFRACTORY MIXES OCMER
TYPE OCM - 015 SIMPLEX.

The OCM-015 SIMPLEX is a rotor machine for the dry spraying of gunite, concrete and refractory mixes.

The well known and tried rotor working method together with the simplicity of the machine's operation grant a proper functioning in any working condition. The ordinary maintenance operations, fundamental for a proper functioning of the machine over the time, are also facilitated to their maximum extend, in order to let a single man to execute them in a fast and safe way.

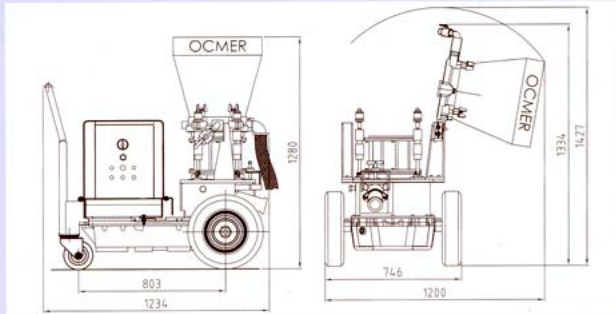
The possibility to mount rotors and hoses of different size allows a very wide field of applications: from the slope consolidation to the swimming pools construction, to the re-lining of damaged surfaces with pre-mixed materials, to the maintenance of furnaces with refractory gunning mixes. Just to mention some of the typical applications.

The possibility to be supplied with an electric motor driven from inverter, besides a pneumatic engine, permits to regulate at will the r.p.m. of the rotor and therefore the machine's output allowing to select the production that better fits with the project specific needs.



OCMER

OCM 015 SIMPLEX



WEIGHTS KG. 450-490

CAPACITY OF THE ROTOR IN LITRES	MAX. THEOR. OUTPUT IN M ³ /h	HOSE SIZE	GRAIN SIZE IN mm	DELIVERY DISTANCES ORZ./VERT.	COMPRESSED AIR CONSUMPTION IN M ³ /m AT 4-6 BARS
1,8	1,51	25x40	8	300/60	2-4
		32x48	10	300/60	3-5
3,2	2,69	32x48	10	300/60	3-6
		40x60	15	300/60	4-7
3,4	2,96	32x48	10	300/60	3-6
		40x60	13	300/60	4-7
5	4,20	40x60	13	300/60	5-8
		50x70	16	300/60	6-10
6	5,04	50x70	16	300/60	6-12

(*) Provided the chambers fill and empty completely

DRIVE:

ELECTRIC

Two speeds electric engine: HP = 5,5/3,5, 3 x 400 V, 50 Hz.

Moto-inverter: HP = 4,3 x 400 V, 50 Hz.

Electric board.

EEC norms (EN-60204-1; EN-60439-1; 73/23/EEC; 93/68/EEC).

Protection degree: IP55.

PNEUMATIC

Main engine: HP = 9.

Air consumption (engine):

6.000 litres/m at 6-7 bars.

Right to make amendments reserved.



OCMER CO. srl • Via 1° Maggio n° 33 - 20014 Nerviano (MI), Italy • Tel. +39 0331 415221 - Fax +39 0331 415266 • www.ocmer.it - info@ocmer.it

Surface INTERNATIONAL

46, Digvijay Nagar, Kheme kuan

Pal Road, JODHPUR - 342008 (Raj.) INDIA

Phone : 0291-2787749 Mobile : 9313329743

Fax : 0291-2787753 Email : surface,int@hotmail.com